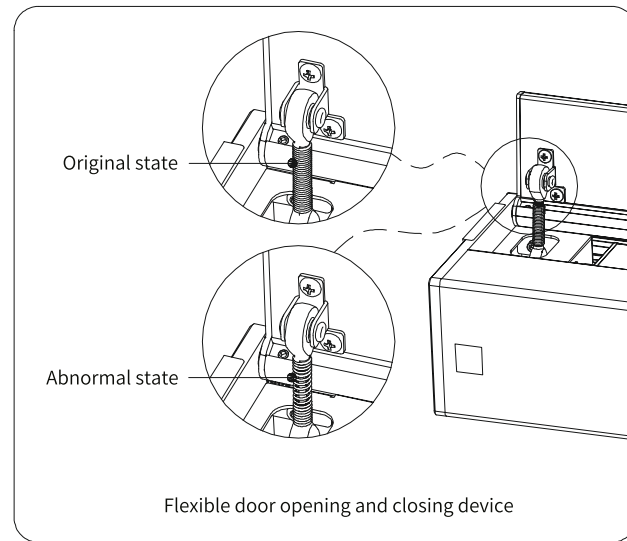


III. Decorative door anti-pinch function

The decorative door of this product is equipped with a flexible door opening and closing device, which can protect hands or objects from accidentally extending into the screen when closing the door.

Abnormal situation: If the elastic protection device is triggered when the door is closed, the tension spring may be stretched, and the opening and closing angle of the door will change, making it impossible to reset.

Solution: Remove the two $\varnothing 4 \times 8$ self-tapping screws connecting the door, turn the tension spring counterclockwise to the correct rebound, and restore the parts to the original state.



IV. Fabric cleaning

Ultra-short throw anti-light screen cleaning : (Do not use a rag to wipe!)

- Using soft brush (in parts box), lightly brush horizontally along the texture of the screen to remove the dust or fine particles on it.
- For light-colored smudges that do not affect the projection, no need to deal with them; if it affects the viewing effect, it can be removed with a sticky tape without residue.

Ordinary regular throw fabric cleaning method

Use clean water or mild detergent to gently wipe the stains on the surface of the fabric (do not use corrosive detergents), and then retract the fabric after air-drying or absorbing moisture

V. Electrical parameters

Voltages & Frequencies: 110V/60Hz or 220V/50Hz

(Actual voltage shall be subject to the electrical label shown on the product)

Wireless remote control (F): Voltage 3V, using battery CR2032X2, transmitting frequency; 868MHz, effective control distance is about 15 meters.

Troubleshooting

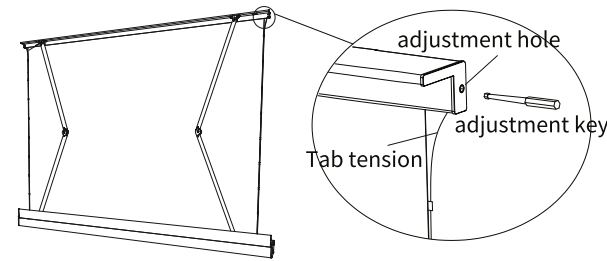
① When the product leaves the factory, the tab tension on both sides of the screen have been adjusted to a suitable elastic length. If in the process of use, the two sides of the fabric are too loose or too tight, you can refer to the following methods to adjust.

IF the tab tension is too loose:

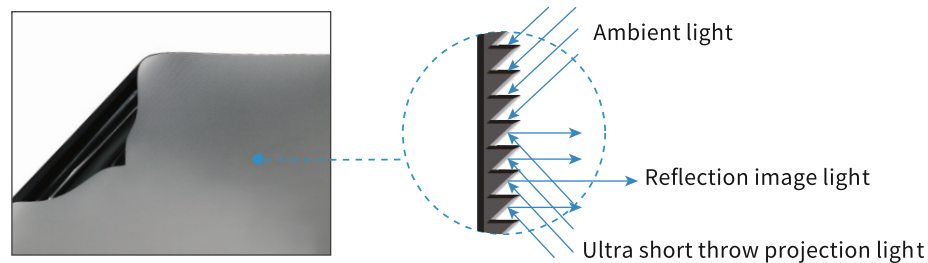
insert the adjustment key into the adjustment hole, press and hold the adjustment key and turn clockwise, and the cable is tightened.

IF the tab tension is too tight:

insert the adjustment key into the adjustment hole, press and hold the adjustment key and turn it counterclockwise, the line is loosened.



② Black grid fabric surface is carved with optical grating tooth, enabling the targeted reflection for ultra short throw projector light beam and forming the viewing image. Projection theory as below picture shown: Screen adsorbs only the ambient light from the top but resistance to ambient light from horizontal side will be weakened, please pay attention to the light beam direction when applied.

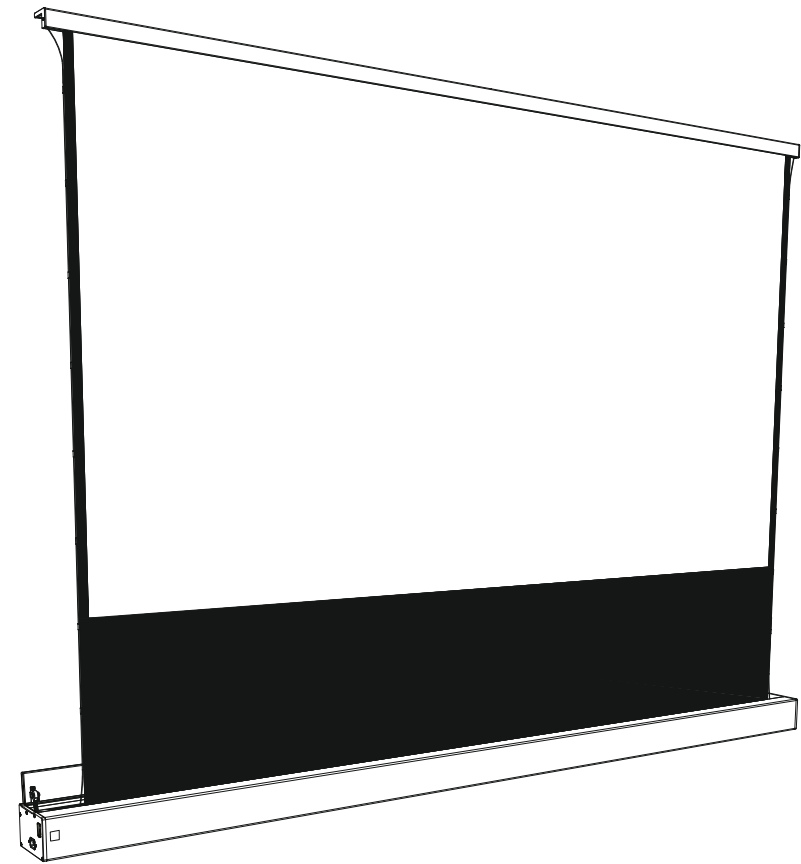


③ The screen adopts the splicing process, and the splicing line has a certain curvature due to the source of upper and lower tension, which does not affect the actual projected picture, which is a normal phenomenon.

④ Fabric surface flatness: Lower black drop perfect range: 300-400mm

Motorized Tabletop Screen Installation Manual

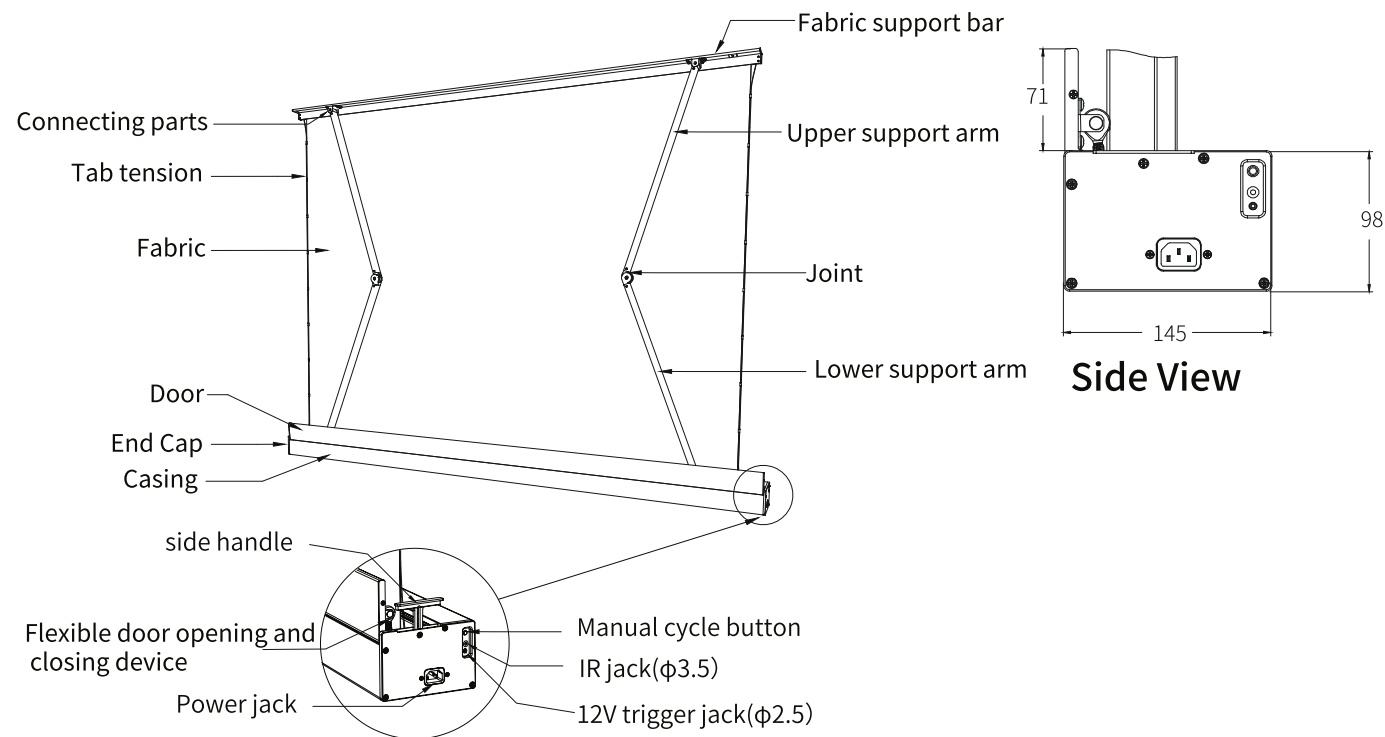
Model: Libra Electro



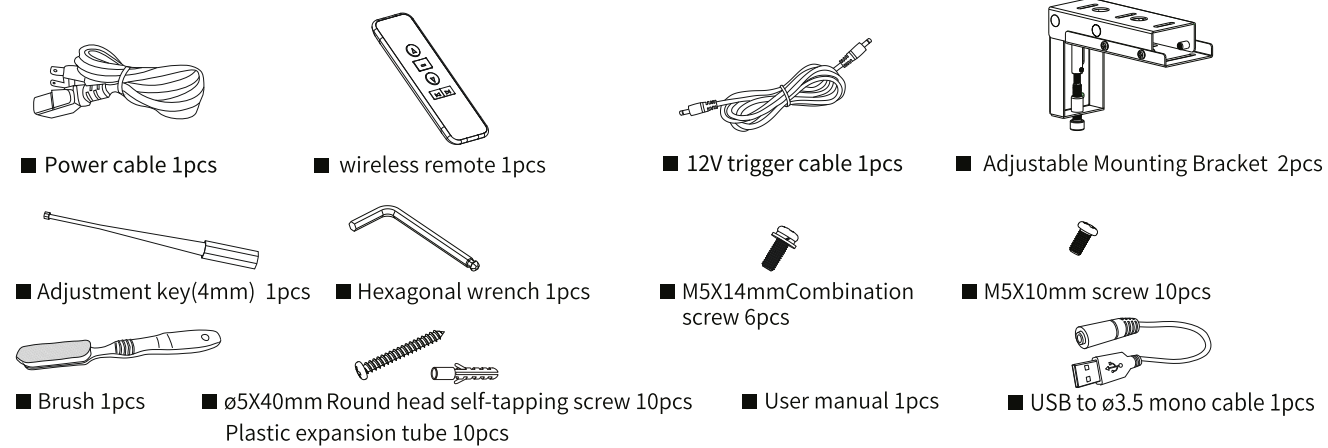
Reminder

- Thank you for choosing our products. Please read the manual carefully before installation and use. And put it away for future use.
- Please tear out all the blue tape from the trap door before powering on.
- Please take out the EVA Pad from the fabric rod when the screen goes up.
- Please take out the EPE foam when the support arm goes up.
- Please do not reach into the casing gap to prevent hands injury when the screen goes up.
- Please put the screen in place with no wind to prevent it from falling over.
- Please Do not disassemble or replace the original spare parts at will.
- If there is any fault, don't hesitate to get in touch with the after-sales service department.
- Any functional or structural adjustment will not be further notified and subject to practical product.

Screen structure diagram

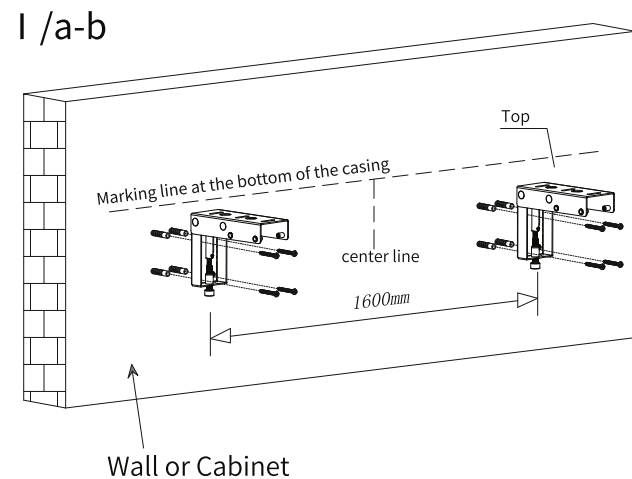


Accessories

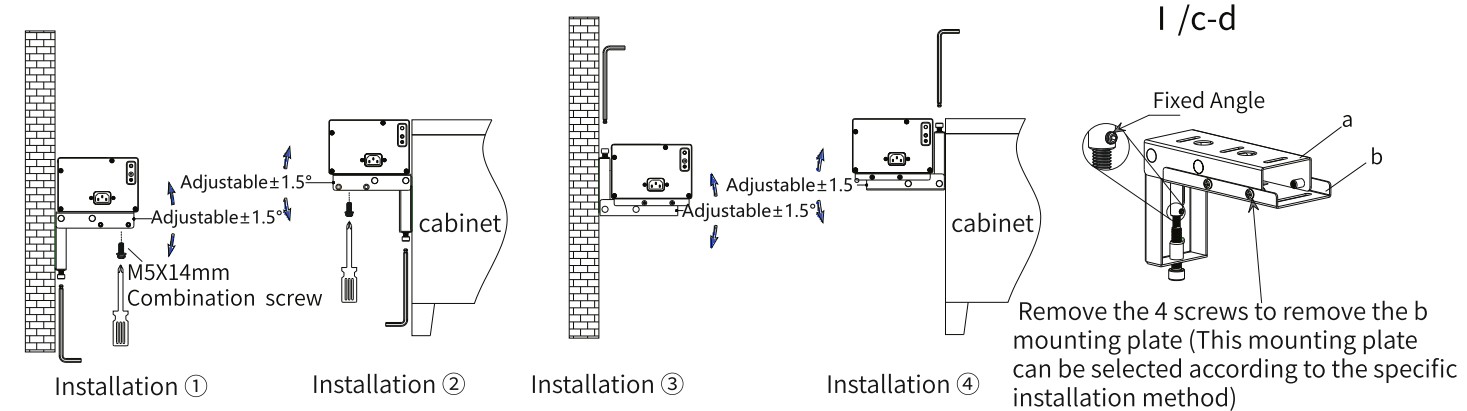


I .Screen Installation Guidelines

1. Measure the size of the screen, calculate the installation position of the screen;
 2. Mark the installation line at the bottom of the casing. Take the adjustable mounting brackets, with a symmetrical spacing of 1600 mm of the center line
 3. Stick a flat marking line on the top to mark the positions of the four screw holes
1. Drill the holes and drive the expansion tube.
 2. Place the adjustable mounting brackets vertically, align the screw holes, and tighten the ø5*40 self-tapping screws.



- Keep the power supply side to the left, gently place the screen on the bracket, align the bottom rivet nut with the hole on the bracket, and screw on the M5X14 combination screw, adjust and fix the screen left and right to a suitable position, and tighten the screws to fix the screen.
- Connect the power supply and fully unfold the fabric; observe the angle between the fabric surface and the wall, and use the hexagonal wrench to rotate the hexagonal adjustment screws on the two mounting brackets; after fine-tuning the inclination of the fabric surface to the best, tighten the machine screw on the screw sleeve to fix it Angle, complete the installation and adjustment of the screen.



Note: Installation methods ①②, b mounting plate is not used and can be removed. Installation method ③④ First, fix the b mounting plate on the screen shell with M5x14 combination screws, and then put the fabric lightly on the a mounting plate and then lock the connecting screws between the a and b plates.

II .Functions and Instructions

This product has three control methods

- Manual cycle button
- 12V trigger control
- RF remote control

a. Manual cycle button

The manual cycle button is set on the end cover of the power supply side of the shell. Pressing the button will control the screen to rise, stop, fall, stop, and rise repeatedly. Continuously loop.

b. 12V trigger control

Connect the screen trigger hole and projector trigger hole with a 12V trigger cable; the screen synchronizes the opening and closing of the projector (that is, when the projector is turned on, the screen is automatically turned on; when the projector is turned off, the screen is automatically turned off)

c. RF remote control

- Press the up button, the decorative door opens first, and the fabric rises;
- Press the stop button, the decorative door or fabric will pause
- Press the down button, the fabric rolls back, and the decorative door is closed.
- Jog the up key and down key, the fabric moves up or down; Usually used in electronic stroke positioning settings.

Code pairing/deleting code

(code pairing has been successful at the factory):

Disconnect the screen power supply for 10 seconds and then reconnect it to the power supply. Press the remote control up and stop buttons simultaneously within 10 seconds, and the motor will rotate forward and backward once, and the code matching is completed. The code deletion is the same as the code pairing operation, the odd time is the code pairing, and the even time is the code deletion.

Intelligent electronic itinerary positioning (this product can realize the screen unfolding itinerary setting through the remote control)

Operation method (stretch a paperclip into the hole, press the positioning setting button on the back of the remote control): Screen unfolding stroke setting: positioning setting key (lighted) → remote control up and down to the desired position → stop → positioning setting key (light off) → location record successful

