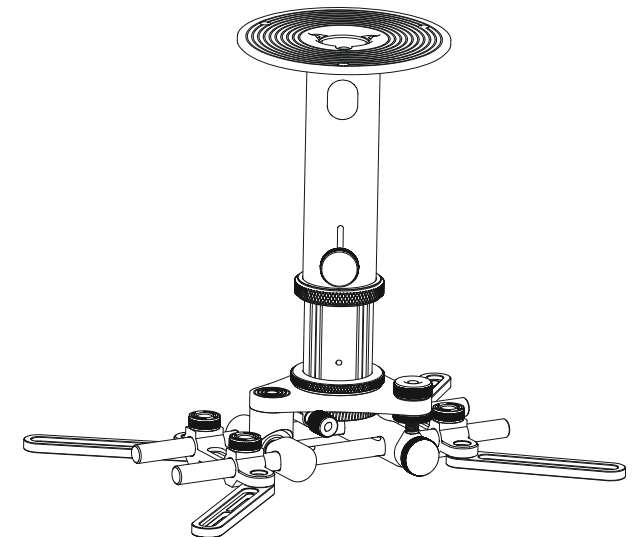



Installation manual


Universal aluminum projector mount


Applicable model: Spider ROYAL



Pay attention to safety matters before installation and use

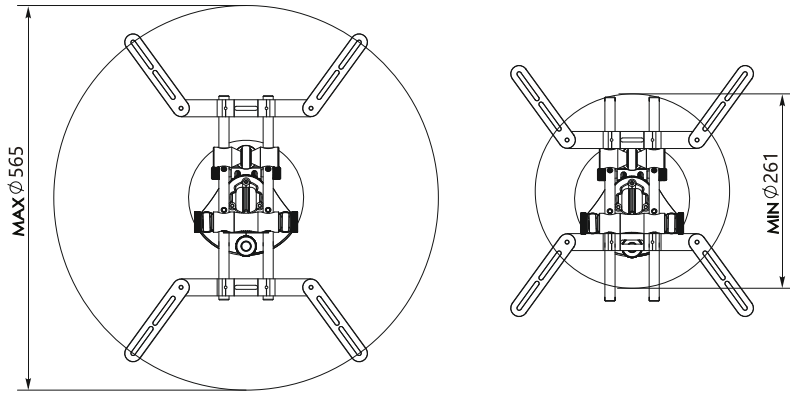
 **Warning:** In order to ensure safety, the ceiling load of the installation position is required to be 4 times the weight of the mount plus the maximum load of the mount

 **Note:** please do not incline the projector extreme

 **No disassembly:** please do not disassemble or disassemble the parts of the mount

Thank you for purchasing this product. Please read the manual carefully before using it.
Please pay attention to the collection after reading it for future reference!

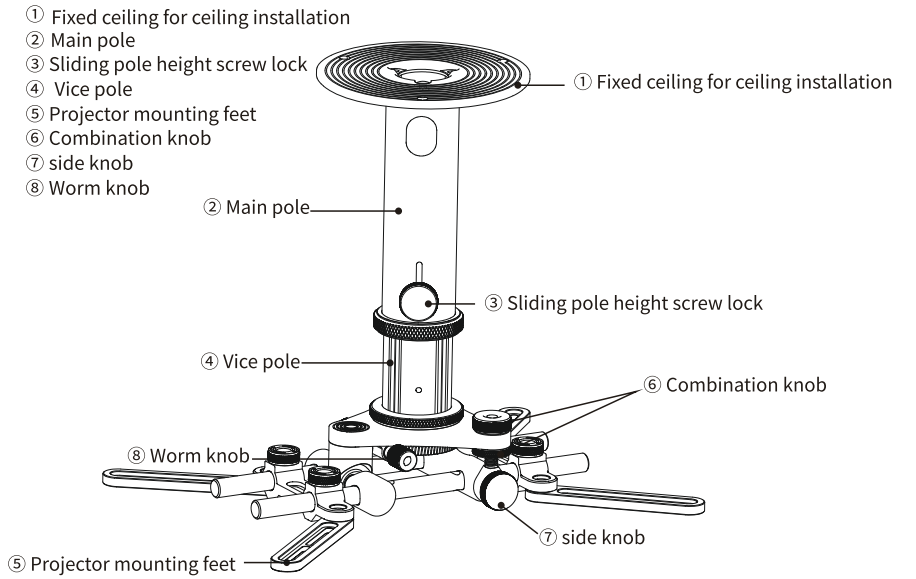
Larger Mounting leg



Maximum size: diameter 565mm
Minimum size: diameter 261mm

Product components

Spider ROYAL projector mount composition

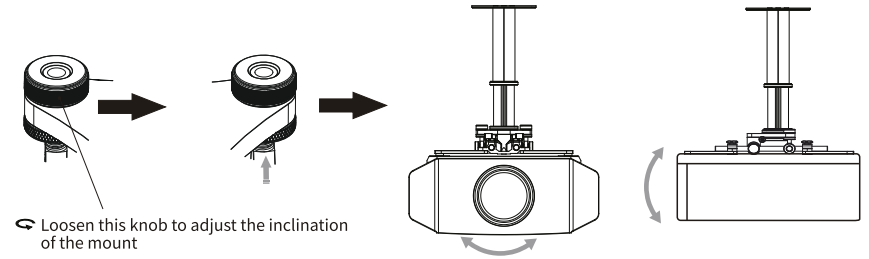
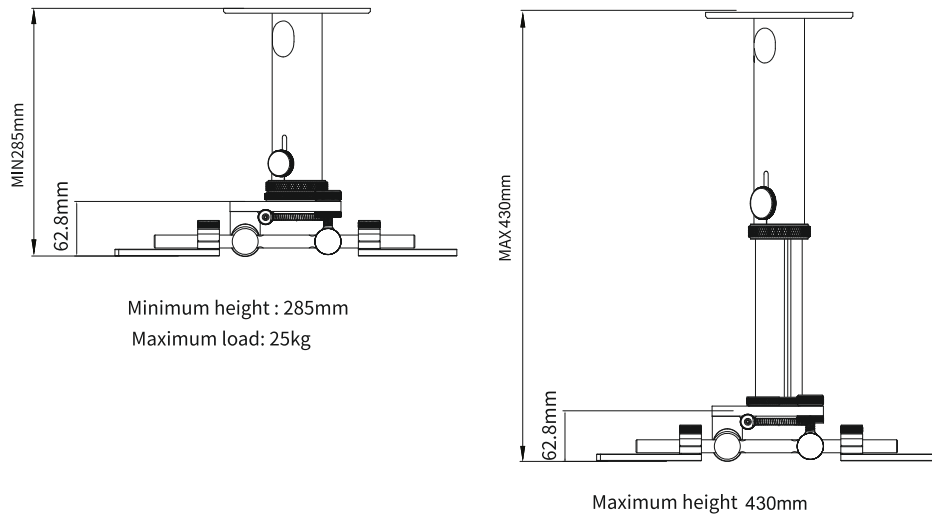


Accessories

gasket $\Phi 16 \times \Phi 5.2 \times 10 \text{mm}$	4pcs	gasket $\Phi 20 \times \Phi 6 \times 6 \text{mm}$	4pcs
Hexagon socket screws M4x20	4pcs	Hexagon socket screws M5x30	4pcs
Hexagon socket screws M6x30	4pcs	Hexagon socket screws M5x40mm	3pcs
Hexagon socket screws M5x18	3pcs	Hexagon socket screws M6x10 1pcs	1pcs
hexagon wrench	1pcs	(for side mounting)	
White gloves	1pcs	Hexagon head tapping screws $\Phi 6 \times 50 \text{mm}$	3pcs
User manual	1pcs	fischer Universal $\Phi 10$ wall piug	
		expansion anchor	3pcs

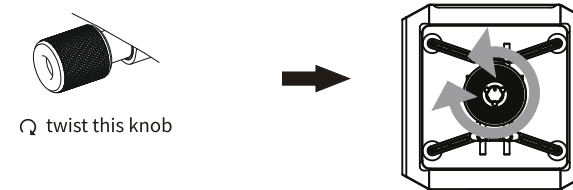
Product model size

Spider ROYAL standard height diagram

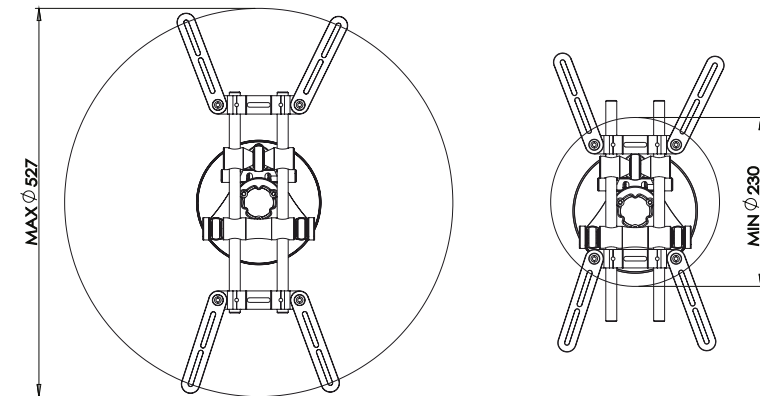


Please note that you need to twist the knobs on both sides at the same time to adjust the height of the mount uniformly; if only one side is rotated, the height of the projector hanger will be inconsistent.

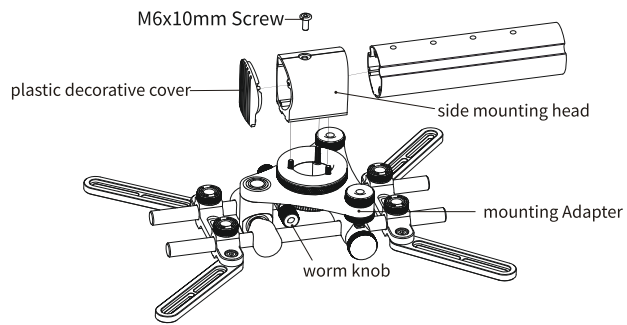
Worm knob: twist to make the mount rotate horizontally



Standard Mounting leg



Maximum size: diameter 527mm
Minimum size: diameter 230mm



3. Connect the side mounting head and the vice pole, and lock it with 6x10 screws, and then cover the side mounting head with the plastic decorative cover, as shown in Figure-9. After completion, put the mounting Adapter up into the side mounting head and tighten with screws. If you find that the screw holes are blocked, you can turn the worm knob to rotate the mount horizontally to stagger the screw holes.

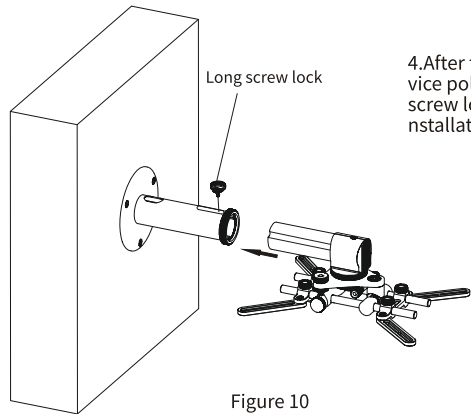


Figure 10

4. After the previous step is completed, insert the vice pole into the main pole, insert the height screw lock, and tighten it to fix it. The side-mounted installation is complete.

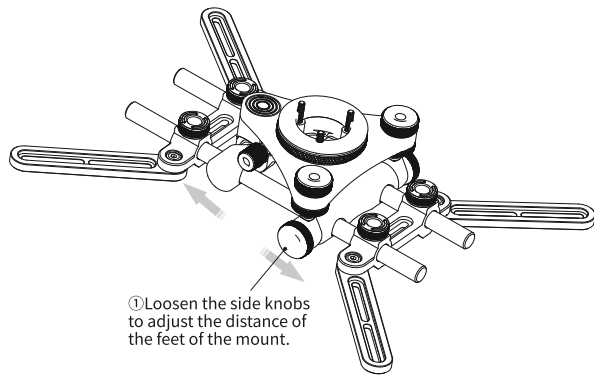
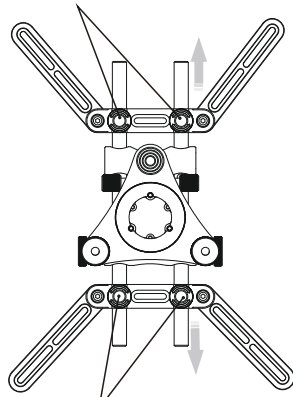


Figure 11-1

③ Twist this foot knob (front) to adjust the distance of the feet of the mount.



② Twist this foot knob (back) to adjust the distance of the feet of the mount.

Figure 11-2

Projector mount installation steps

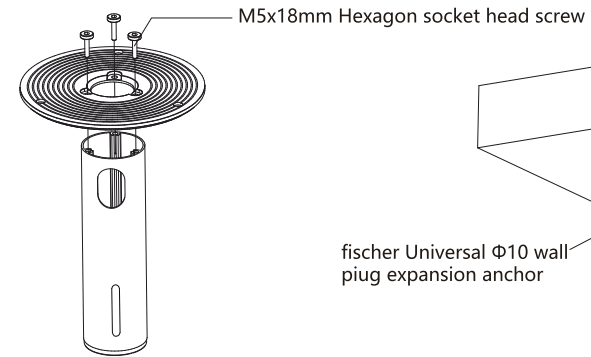


Figure 1

1. Select the M5 hexagon socket flat head screw in the accessories, align the ceiling mounting top plate with the screw holes of the main pole, and then fasten it with the screw. (figure 1)

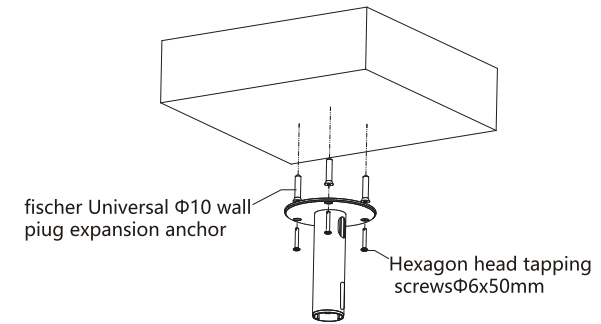


Figure 2

2. Please use the ceiling installation top plate to mark the screw holes on the selected installation position, use a percussion drill to make holes, and finally screw in the screws to tighten. Please make sure that this position can bear the weight of the mount and the projector, otherwise it may cause damage if it falls off!

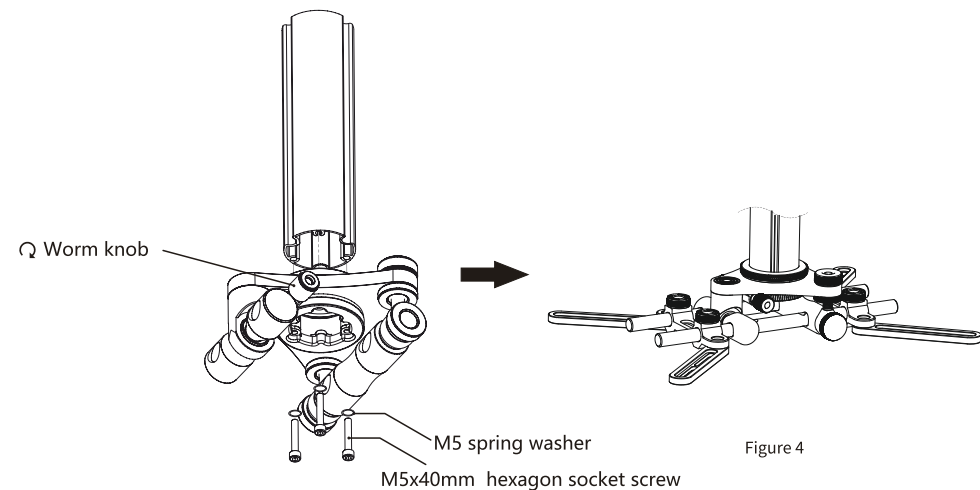


Figure 3

Figure 4

3. Align the vice pole with the holes of the mounting adapter, and screw in the M5 hexagon socket screw from bottom to top. If the screw holes are blocked and the screws cannot be screwed in, the mount can be rotated horizontally to stagger the screw holes by rotating the worm knob to facilitate screwing in the screws. (Figure 4) The installation is complete.

Note: The mounting adapter and the tripod have been installed for the customer before leaving the factory. In order to make the installation steps clearer, only the tripod is omitted from the schematic diagram in Figure 3. Please do not remove the tripod during installation!

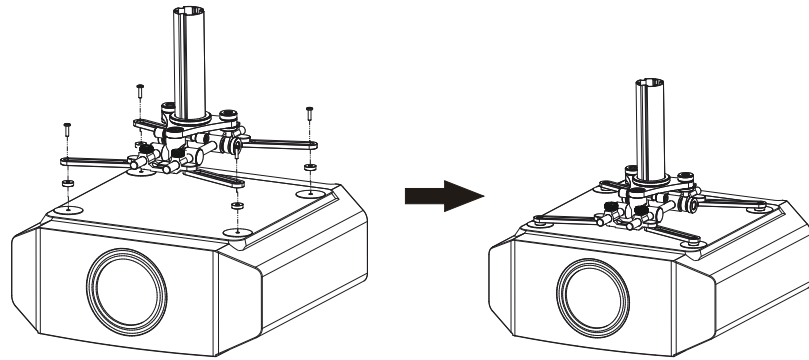


Figure 5

4. Fix Spider ROYAL the GPCH mounting feet to the projector according to the distance between the holes of the projector, as shown in Figure 5. The figure takes the standard pole four feet as an example. If the projector has only three holes, one of the mounting feet can be removed and then installed.

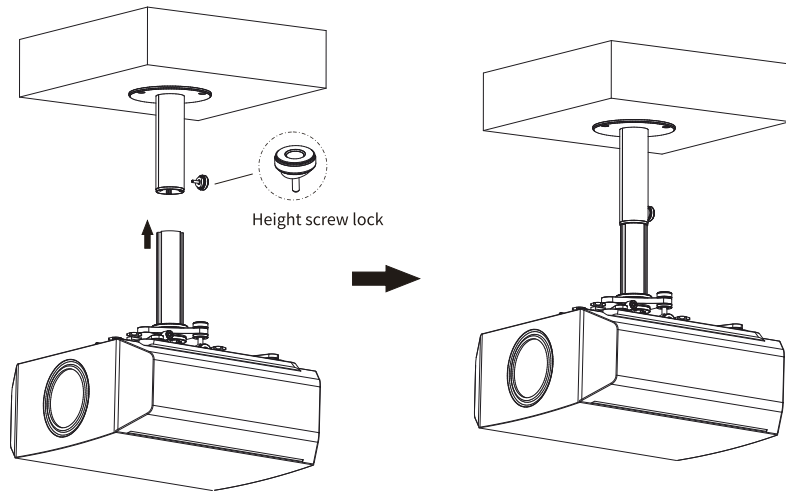


Figure 6

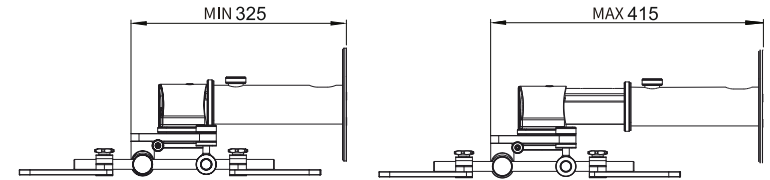
6. After the projector is installed, insert the whole part into the main pole through the vice pole, as shown in Figure 6; embed it into the main pole with a height screw lock, and tighten it to fix it. The installation is complete.

***In this step, please install it carefully, or install it by a professional, to prevent accidental injury to personnel!**

wall mounted installation steps

Spider ROYAL side-mounted standard pole length:

The maximum length is: 415mm
 The minimum length is: 325mm
 Maximum load-bearing capacity: 25kg



(Spider ROYAL diagram of side-mounted standard pole)

*Please choose a suitable location for installation according to the length of the mount. It is recommended to install on the ceiling concrete to ensure that it can bear the weight of the mount and the projector.

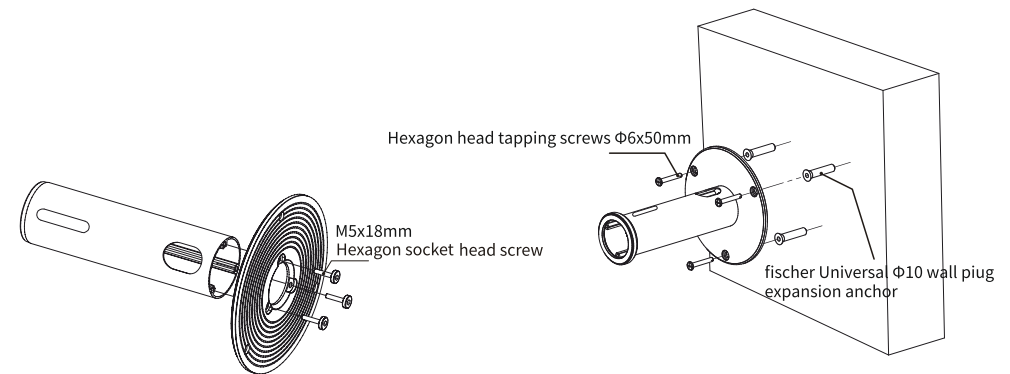


Figure 7

Figure 8

1. Align the screw holes of the fixed top plate with the screw holes of the main pole, and fasten them with M 5 hexagon socket screws.

2. Use the mounting top plate to mark the screw holes on the selected mounting position, and use a percussion drill to make holes, as shown in Figure-8, screw in the screws to fasten the mount.

Note: Please make sure that this position can carry the weight of the mount and the projector, otherwise it may cause damage if it falls off!